

PUBLIC NOTICE

US Army Corps
of Engineers
New York District
Jacob K. Javits Federal Building
New York, N.Y. 10278-0090
ATTN: Regulatory Branch

In replying refer to:
Public Notice Number: NAN-2016-00714-EHA
Issue Date: January 30, 2017
Expiration Date: March 1, 2017

To Whom It May Concern:

The New York District, Corps of Engineers has received an application for a Department of the Army permit pursuant to Section 10 of the Rivers and Harbors Act of 1899 (33 U.S.C. 403) and Section 404 of the Clean Water Act (33 U.S.C. 1344).

APPLICANT: State University of New York Maritime College
6 Pennyfield Avenue
Bronx, New York 10465-4198

ACTIVITY: Expand existing marine facility for berthing operations, small craft exercises, sailing/crew teams, transient fire and police vessels and educational vessels.

WATERWAY: East River

LOCATION: Borough of Bronx, Bronx County, New York.

A detailed description and plans of the applicant's activity are enclosed to assist in your review.

The decision whether to issue a permit will be based on an evaluation of the probable impact including cumulative impacts of the proposed activity on the public interest. That decision will reflect the national concern for both protection and utilization of important resources. The benefit which reasonably may be expected to accrue from the proposal must be balanced against its reasonably foreseeable detriments. All factors which may be relevant to the proposal will be considered including the cumulative effects thereof; among those are conservation, economics, aesthetics, general environmental concerns, wetlands, historic properties, fish and wildlife values, flood hazards, floodplain values, land use, navigation, shoreline erosion and accretion, recreation, water supply and conservation, water quality, energy needs, safety, food and fiber production, mineral needs, considerations of property ownership and, in general, the needs and welfare of the people.

The Corps of Engineers is soliciting comments from the public; Federal, state, and local agencies and officials; Indian Tribes; and other interested parties in order to consider and evaluate the impacts of this proposed activity. Any comments received will be considered by the Corps of Engineers to determine whether to issue, modify, condition or deny a permit for this proposal. To make this decision, comments are used to assess impacts on endangered species, historic properties, water quality, general environmental effects, and the other public interest factors listed above. Comments are used in preparation of an Environmental Assessment and/or an Environmental Impact Statement pursuant to the National Environmental Policy Act. Comments are also used to determine the need for a public hearing and to determine the overall public interest of the proposed activity.

ALL COMMENTS REGARDING THE PERMIT APPLICATION MUST BE PREPARED IN WRITING AND MAILED TO REACH THIS OFFICE BEFORE THE EXPIRATION DATE OF THIS NOTICE, otherwise, it will be presumed that there are no objections to the activity.

Comments submitted in response to this notice will be fully considered during the public interest

**CENAN-OP-RE
PUBLIC NOTICE NO. NAN-2016-00714-EHA**

review for this permit application. Comments provided will become part of the public record for this permit application. All written comments, including contact information, will be made a part of the administrative record, available to the public under the Freedom of Information Act. The Administrative Record, or portions thereof, may also be posted on a Corps of Engineers internet web site. Due to resource limitations, this office will normally not acknowledge the receipt of comments or respond to individual letters of comment.

Any person may request, in writing, before this public notice expires, that a public hearing be held to collect information necessary to consider this application. Requests for public hearings shall state, with particularity, the reasons why a public hearing should be held. It should be noted that information submitted by mail is considered just as carefully in the permit decision process and bears the same weight as that furnished at a public hearing.

Our preliminary determination is that the activity for which authorization is sought herein is not likely to affect any Federally endangered or threatened species or their critical habitat. However, pursuant to Section 7 of the Endangered Species Act (16 U.S.C. 1531), the District Engineer is consulting with the appropriate Federal agency to determine the presence of and potential impacts to listed species in the project area or their critical habitat.

The Magnuson-Stevens Fishery Conservation and Management Act, as amended by the Sustainable Fisheries Act (Public Law 104-267), requires all Federal agencies to consult with the National Oceanic and Atmospheric Administration Fisheries Service (NOAA/FS) on all actions, or proposed actions, permitted, funded, or undertaken by the agency, that may adversely affect Essential Fish Habitat (EFH). The proposed work, fully described in the attached work description, could cause the disruption of habitat for various lifestages of some EFH-designated species as a result of a temporary increase in turbidity during construction. However, the New York District has made the preliminary determination that the site-specific adverse effects are not likely to be substantial because it is expected that fish populations would avoid the small area of disturbance. Further consultation with NOAA/FS regarding EFH impacts and conservation recommendations being conducted and will be concluded prior to the final decision.

Based upon a review of the latest published version of the National Register of Historic Places, there are no known sites eligible for, or included in, the Register within the permit area. Presently unknown archeological, scientific, prehistorical, or historical data may be lost by work accomplished under the required permit.

Reviews of activities pursuant to Section 404 of the Clean Water Act will include application of the guidelines promulgated by the Administrator, U.S. Environmental Protection Agency, under authority of Section 404 (b) of the Clean Water Act and the applicant will obtain a water quality certificate or waiver from the appropriate state agency in accordance with Section 401 of the Clean Water Act prior to a permit decision.

Pursuant to Section 307 (c) of the Coastal Zone Management Act of 1972 as amended [16 U.S.C. 1456 (c)], for activities under consideration that are located within the coastal zone of a state which has a federally approved coastal zone management program, the applicant has certified in the permit application that the activity complies with, and will be conducted in a manner that is consistent with, the approved state coastal zone management program. By this public notice, we are requesting the state's concurrence with, objection to, or waiver of the applicant's certification. No permit decision will be made until one of these actions occur. For activities within the coastal zone of New York State, the applicant's certification and accompanying information is available from the Consistency Coordinator, New York State Department of State, Division of Coastal Resources and Waterfront Revitalization, Coastal Zone Management Program, One Commerce Plaza, 99

**CENAN-OP-RE
PUBLIC NOTICE NO. NAN-2016-00714-EHA**

Washington Avenue, Albany, New York 12231, Telephone (518) 474-6000. Comments regarding the applicant's certification, and copies of any letters to this office commenting upon this proposal, should be so addressed.

In addition to any required water quality certificate and coastal zone management program concurrence, the applicant has obtained or requested the following governmental authorization for the activity under consideration:

- New York State Department of Environmental Conservation

It is requested that you communicate the foregoing information concerning the activity to any persons known by you to be interested and who did not receive a copy of this notice. If you have any questions concerning this application, you may contact this office at (917) 790-8523 and ask for Naomi Handell.

In order for us to better serve you, please complete our Customer Service Survey located at <http://www.nan.usace.army.mil/Missions/Regulatory/CustomerSurvey.aspx>.

For more information on New York District Corps of Engineers programs, visit our website at <http://www.nan.usace.army.mil>.



For and In behalf of

Stephan A. Ryba
Chief, Regulatory Branch

Enclosures

WORK DESCRIPTION

The applicant, State University of New York Maritime College, has requested Department of the Army authorization for the proposed expansion of the existing approximately 6,460 square foot marine facility to approximately 19,075 square feet in East River, Borough of Bronx, Bronx County, New York.

The work would involve:

South of McMurray Hall-Remove two (2) 35-foot long by 5-foot wide timber travel lift piers, 38-foot long by 7-foot wide float, 40-foot long by 13.5-foot wide float, 41-foot long by 18-foot wide float, two (2) 30-foot long by 28-foot wide floats, 42-foot long by 4.5-foot wide gangway. Structures removed total 3,574 square feet. See Sheet 4 of 11.

Remove and relocate to an upland location, one (1) 42-foot long by 16.5-foot wide float and one (1) 40-foot long by 20-foot wide float. See Sheet 4 of 11.

Remove nine (9) 12-inch diameter concrete filled steel pipe piles and one (1) 14-inch diameter concrete filled steel pipe pile. See Sheet 4 and 5 of 11.

At College Pier-Remove 55-foot long by 10-foot wide float, 80-foot long by 10-foot wide float, 35-foot long by 8-foot wide gangway and 10-foot 8-inch long by 7-foot wide platform. See Sheet 5 of 11.

South of McMurray Hall-Construct the following: 12-foot long by 9-foot wide platform, then extending south from the platform, 80-foot long by 6-foot wide gangway leading to 100-foot long by 10-foot wide floating dock/wave attenuator. Extending east from the 12-foot long by 9-foot wide platform, construct 60-foot long by 5-foot wide gangway leading to two (2) 40-foot long by 30-foot wide floating docks and two (2) 30-foot long by 40-foot wide floating docks. See Sheet 6 of 11.

East of McMurray Hall-Construct the following: 60-foot long by 5-foot wide gangway leading to six (6) 40-foot long by 18-foot wide floating docks following the curve of the shoreline. The six floats would need a connector section in the middle to allow the turn along the shoreline. See Sheet 6 of 11.

At the west end of College Pier-North of the existing catwalk, construct a 65-foot long by 12-foot wide floating dock/wave attenuator. See Sheet 6 of 11.

On the north side of College Pier and west side of the Approach Pier construct a 565-foot long by 12-foot wide floating dock/wave attenuator. North of the floating dock/wave attenuator construct a 70-foot long by 8-foot wide float. At the southern end of the Approach Pier construct an irregularly shaped 24-square foot platform extending west to a 60-foot long by 6-foot wide gangway to access the 565-foot long floating dock/wave attenuator. On the eastern end of College Pier, adjacent to the existing lifeboat davit, construct a 15-foot long by 5-foot wide dock to allow safer access to the lifeboat. See Sheet 6 and 7 of 11.

Construct fifty-three (53) 16-inch diameter steel pipe piles to be filled with 85 cubic yards of concrete.

The total existing over water coverage is 6,460 square feet. The total proposed over water coverage is 19,075 square feet.

CENAN-OP-RE
PUBLIC NOTICE NO. NAN-2016-00714-EHA

The applicant has stated that they have avoided, minimized, and mitigated for proposed impacts to the maximum extent practicable proposing the use of best management practices such as turbidity curtains and floating booms during construction.

The stated purpose of this project is to accommodate the needs of the Maritime College for berthing operations, small craft exercises, sailing/crew teams, transient fire and police vessels and educational vessels.



PURPOSE: FLOATING DOCK REPLACEMENT
 DATUM: NAVD 88
 ADJACENT OWNERS:
 1. SEE ATTACHED PAGE

AGENT: M.G. McLAREN, P.C.
 100 SNAKE HILL ROAD
 WEST NYACK, N.Y. 10994

LOCATION MAP

NOT TO SCALE

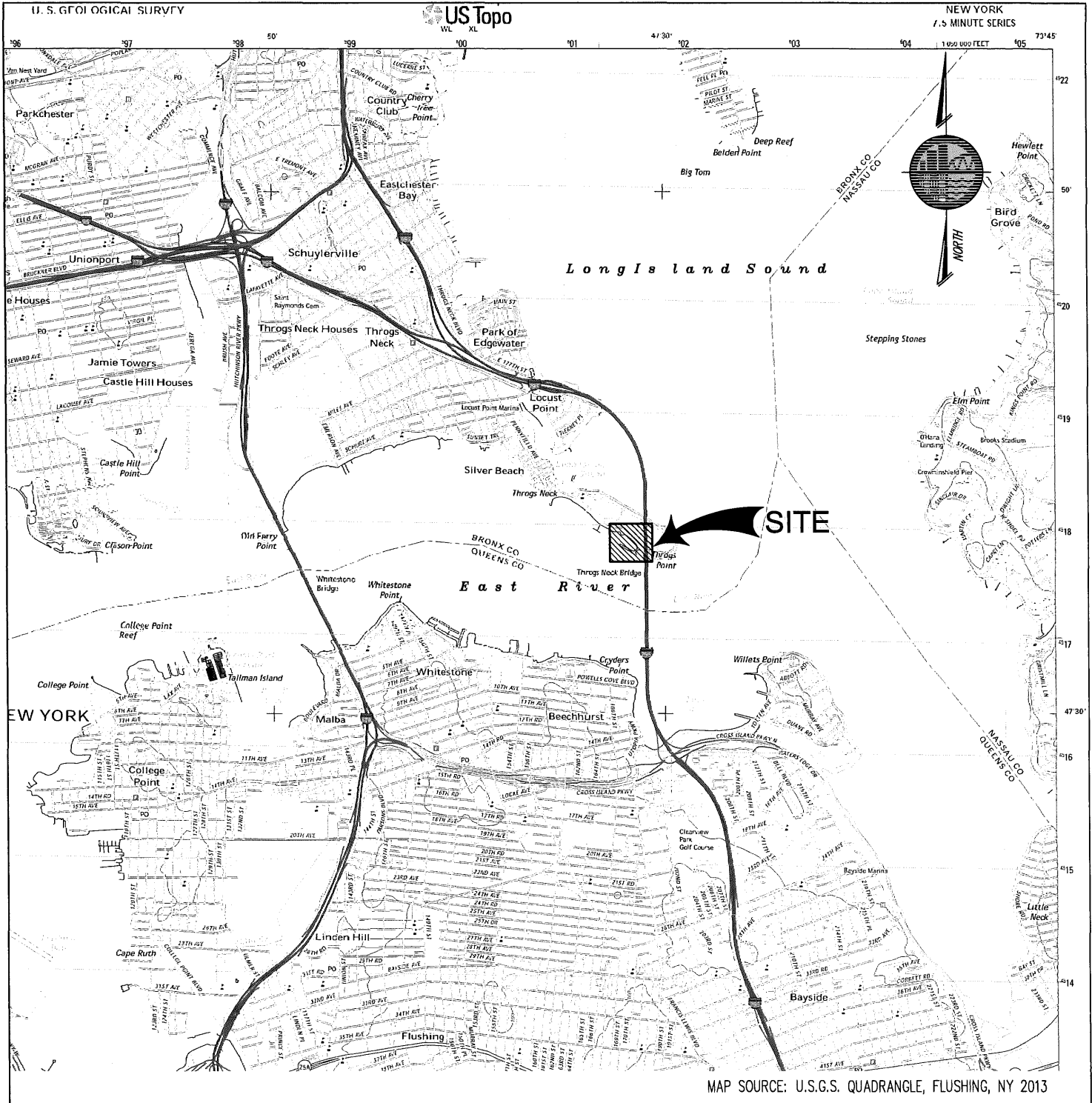
SUNY MARITIME COLLEGE
 6 PENNYFIELD AVENUE
 THROGGS NECK, NY 10465

SUNY MARITIME WATERFRONT ENHANCEMENTS – FLOATING DOCK REPLACEMENT

AT: SUNY MARITIME COLLEGE
 IN: EAST RIVER
 COUNTY OF: BRONX STATE: NY
 APPLICANT: SUNY MARITIME COLLEGE

SHT 1 OF 9 08-18-16

NAN-2016-00714-EHA

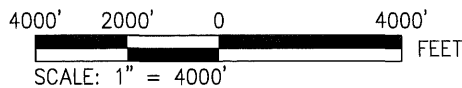


MAP SOURCE: U.S.G.S. QUADRANGLE, FLUSHING, NY 2013

PURPOSE: FLOATING DOCK REPLACEMENT
 DATUM: NAVD 88
 ADJACENT OWNERS:
 1. SEE ATTACHED PAGE

AGENT: M.G. McLAREN, P.C.
 100 SNAKE HILL ROAD
 WEST NYACK, N.Y. 10994

VICINITY MAP



SUNY MARITIME COLLEGE
 6 PENNYFIELD AVENUE
 THROGS NECK, NY 10465

SUNY MARITIME WATERFRONT
 ENHANCEMENTS – FLOATING
 DOCK REPLACEMENT

AT: SUNY MARITIME COLLEGE
 IN: EAST RIVER
 COUNTY OF: BRONX STATE: NY
 APPLICANT: SUNY MARITIME COLLEGE

SHT 2 OF 9 08-18-16

NAN-2016-00714-EHA

TIDAL DATA		
	NAVD88	MLW
HIGHEST OBSERVED 10/29/2012	10.16	13.95
MEAN HIGHER WATER SPRING (MHWS)	3.73	7.51
MEAN HIGH WATER (MHW)	3.37	7.15
NAVD88	0.00	3.78
MEAN LOW WATER (MLW)	-3.78	0.00
MEAN LOWER-LOW WATER (MLLW)	-4.07	-0.29
LOWEST OBSERVED 02/02/1976	-8.36	-4.58
NOTE: ALL UNITS IN FEET		
TIDAL BENCHMARKS BASED ON TIDAL STATION AT WILLETS POINT, NY.		

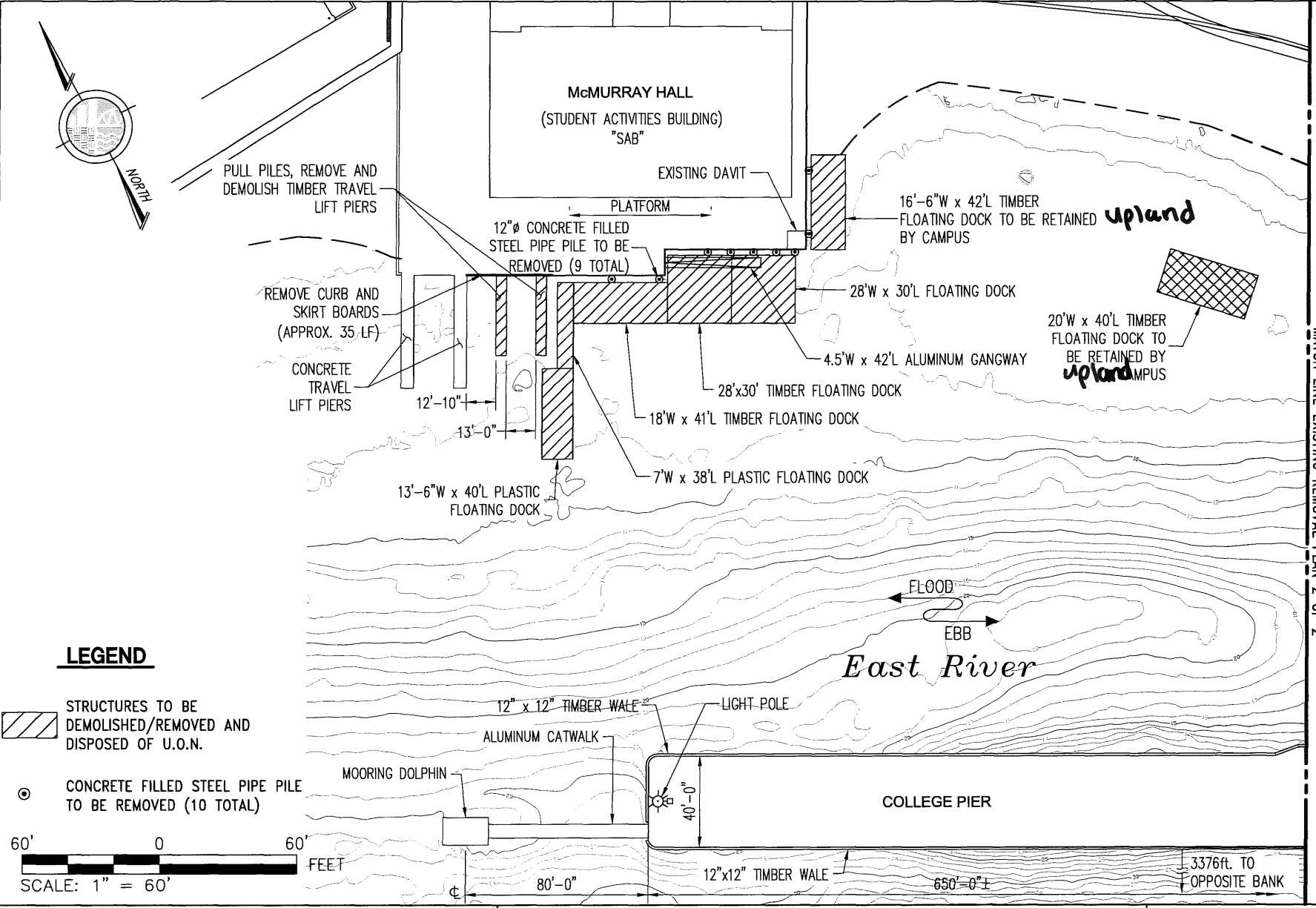
NOTE: ALL ELEVATIONS AND SURVEY
INFORMATION SHOWN IN NAVD88 DATUM.

PURPOSE: FLOATING DOCK
REPLACEMENT
 DATUM: NAVD 88
 ADJACENT OWNERS:
 1. SEE ATTACHED PAGE
 AGENT: M.G. McLAREN, P.C.
 100 SNAKE HILL ROAD
 WEST NYACK, N.Y. 10994



TIDAL DATA
 NOT TO SCALE
 SUNY MARITIME COLLEGE
 6 PENNYFIELD AVENUE
 THROGGS NECK, NY 10465

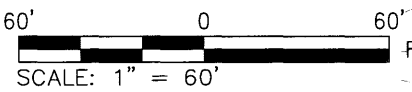
SUNY MARITIME WATERFRONT
 ENHANCEMENTS – FLOATING
 DOCK REPLACEMENT
 AT: SUNY MARITIME COLLEGE
 IN: EAST RIVER
 COUNTY OF: BRONX STATE: NY
 APPLICANT: SUNY MARITIME COLLEGE
 SHT 3 OF 9 08-18-16

FILE NAME: I:\proj\44\16072810_Dwg\CAD\Dock\Dock Permit\A_Existing Removal Plan 1 of 2.dwg PLOT TIME: Thu, 18 Aug 2016 - 10:06am LAST SAVE: Wed, 17 Aug 2016 - 4:32pm BY: jssm



LEGEND

-  STRUCTURES TO BE DEMOLISHED/REMOVED AND DISPOSED OF U.O.N.
-  CONCRETE FILLED STEEL PIPE PILE TO BE REMOVED (10 TOTAL)



PURPOSE: FLOATING DOCK REPLACEMENT
 DATUM: NAVD 88
 ADJACENT OWNERS:
 1. SEE ATTACHED PAGE
 AGENT: M.G. McLAREN, P.C.
 100 SNAKE HILL ROAD, WEST NYACK, N.Y.10994

EXISTING REMOVAL PLAN 1 OF 2

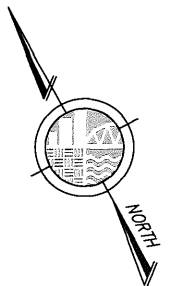
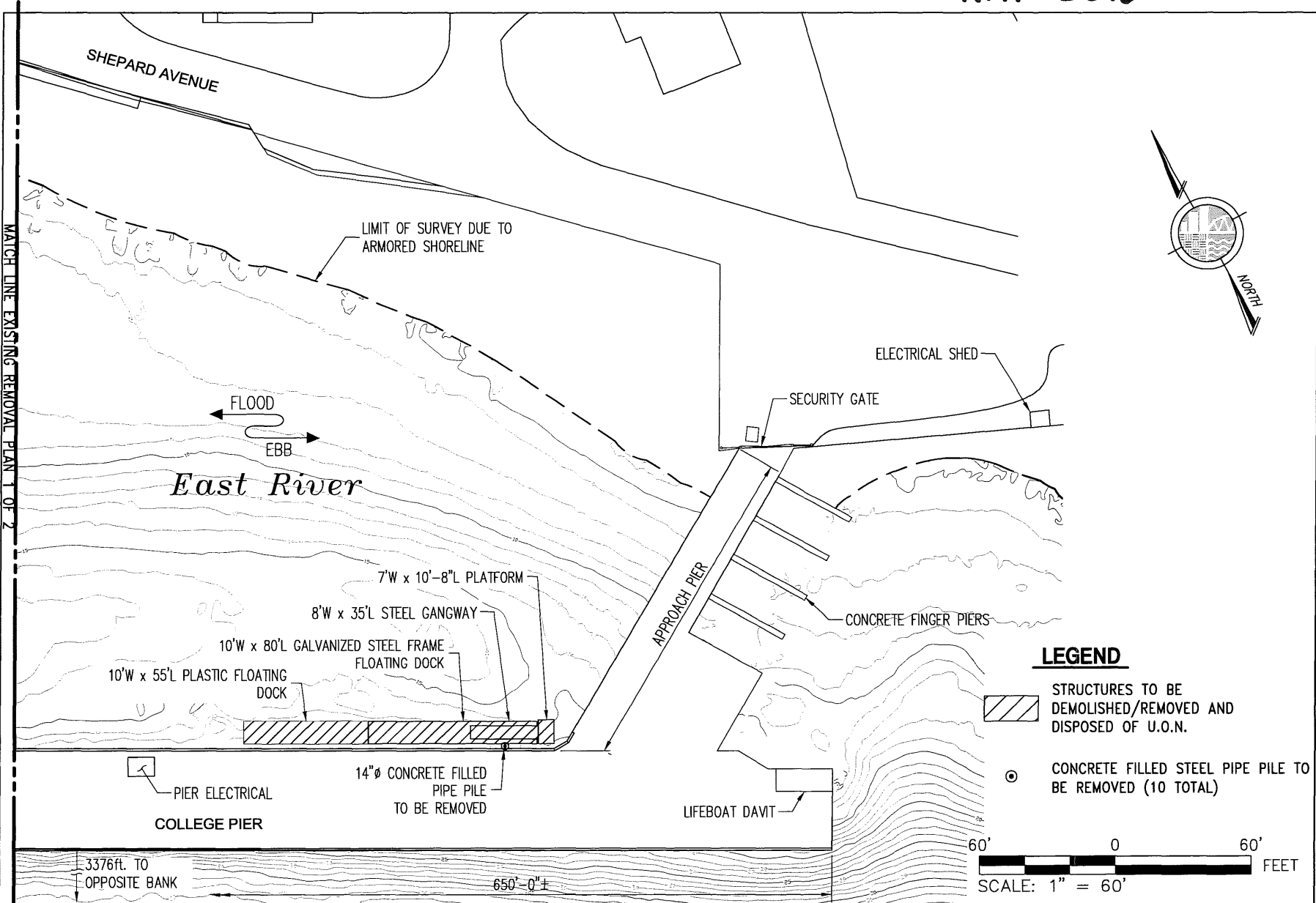
SUNY MARITIME WATERFRONT ENHANCEMENTS-FLOATING DOCK REPLACEMENT

AT: SUNY MARITIME COLLEGE IN: EAST RIVER COUNTY OF: BRONX STATE: NY APPLICANT: SUNY MARITIME COLLEGE	APPLICANT: SUNY MARITIME COLLEGE 6 PENNYFIELD AVENUE THROGGS NECK, NY 10465
---	--

08-18-16

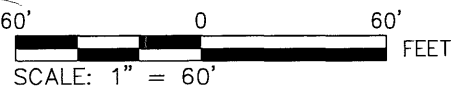
SHT 4 OF 9

FILE NAME: H:\Proj\40\408781\0_Dwg\CA00\Docke Permit\Existing Removal Plan 1 of 2.dwg PLOT TIME: Thu, 18 Aug 2016 - 10:07am LAST SAVE: Wed, 17 Aug 2016 - 4:30pm BY: Jason



LEGEND

- STRUCTURES TO BE DEMOLISHED/REMOVED AND DISPOSED OF U.O.N.
- CONCRETE FILLED STEEL PIPE PILE TO BE REMOVED (10 TOTAL)



PURPOSE: FLOATING DOCK REPLACEMENT
 DATUM: NAVD 88
 ADJACENT OWNERS:
 1. SEE ATTACHED PAGE

 AGENT: M.G. McLAREN, P.C.
 100 SNAKE HILL ROAD, WEST NYACK, N.Y.10994

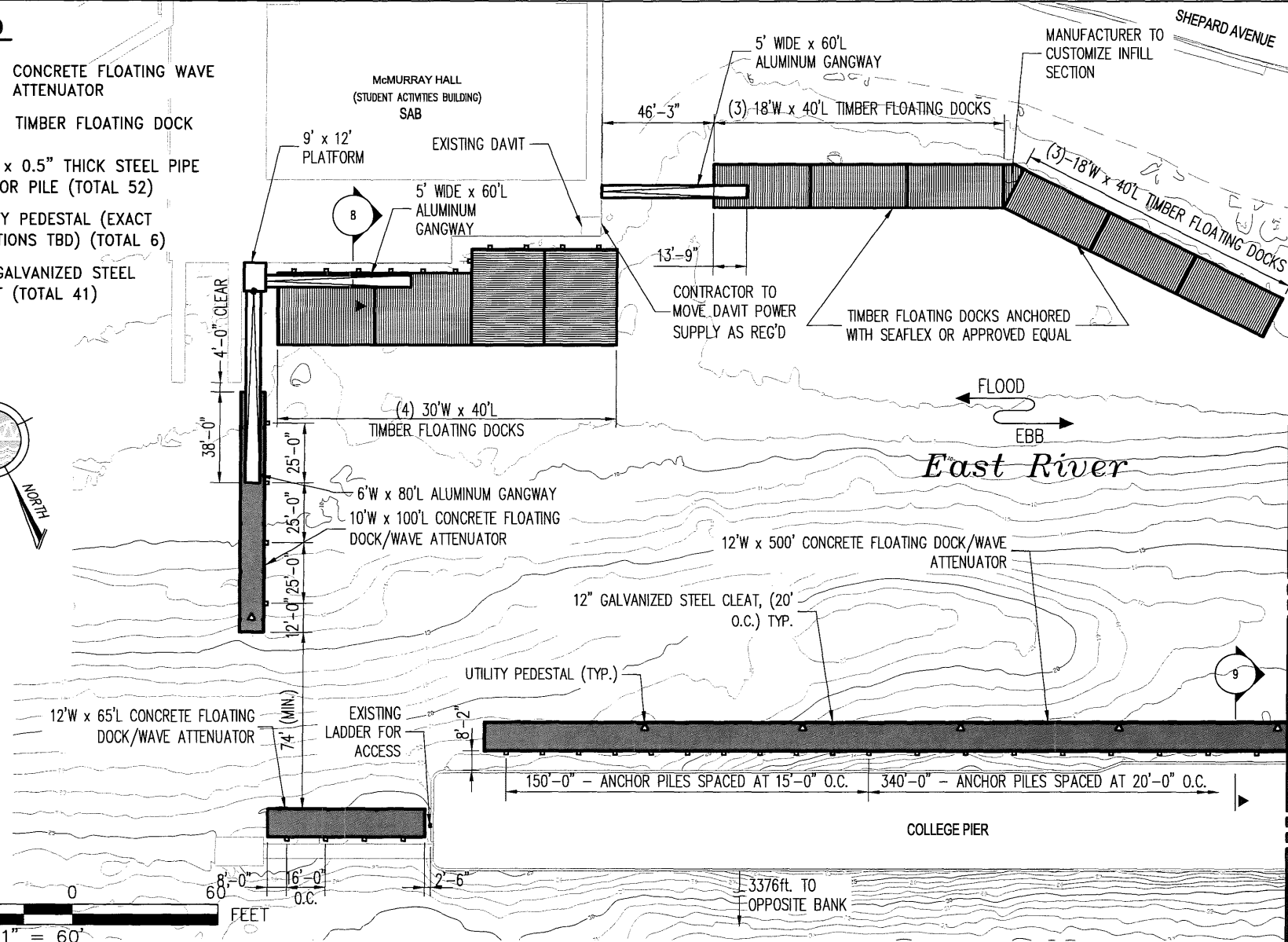
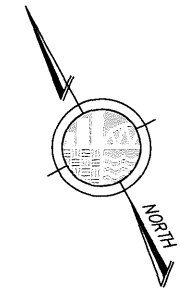
EXISTING REMOVAL PLAN 2 OF 2
 SUNY MARITIME WATERFRONT ENHANCEMENTS-FLOATING DOCK REPLACEMENT
 AT: SUNY MARITIME COLLEGE
 IN: EAST RIVER
 COUNTY OF: BRONX STATE: NY
 APPLICANT: SUNY MARITIME COLLEGE

08-18-16
 APPLICANT:
 SUNY MARITIME COLLEGE
 6 PENNYFIELD AVENUE
 THROGGS NECK, NY 10465
 SHT 5 OF 9

FILE NAME: P:\Proj\40\140878\10_Dwg\CAD\Dock\Plan\1\Proposed Plan.dwg PLOT TIME: Thu, 18 Aug 2016 - 10:07am LAST SAVE: Thu, 18 Aug 2016 - 8:58am BY: dsao

LEGEND

- CONCRETE FLOATING WAVE ATTENUATOR
- TIMBER FLOATING DOCK
- 16"Ø x 0.5" THICK STEEL PIPE ANCHOR PILE (TOTAL 52)
- UTILITY PEDESTAL (EXACT LOCATIONS TBD) (TOTAL 6)
- 12" GALVANIZED STEEL CLEAT (TOTAL 41)



PURPOSE: FLOATING DOCK REPLACEMENT
DATUM: NAVD 88
ADJACENT OWNERS:
 1. SEE ATTACHED PAGE

AGENT: M.G. McLAREN, P.C.
 100 SNAKE HILL ROAD, WEST NYACK, N.Y.10994

PROPOSED PLAN 1 OF 2

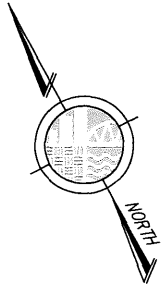
SUNY MARITIME WATERFRONT ENHANCEMENTS-FLOATING DOCK REPLACEMENT

AT: SUNY MARITIME COLLEGE IN: EAST RIVER COUNTY OF: BRONX STATE: NY APPLICANT: SUNY MARITIME COLLEGE	APPLICANT: SUNY MARITIME COLLEGE 6 PENNYFIELD AVENUE THROGGS NECK, NY 10465
---	--

08-18-16


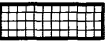



SHT 6 OF 9

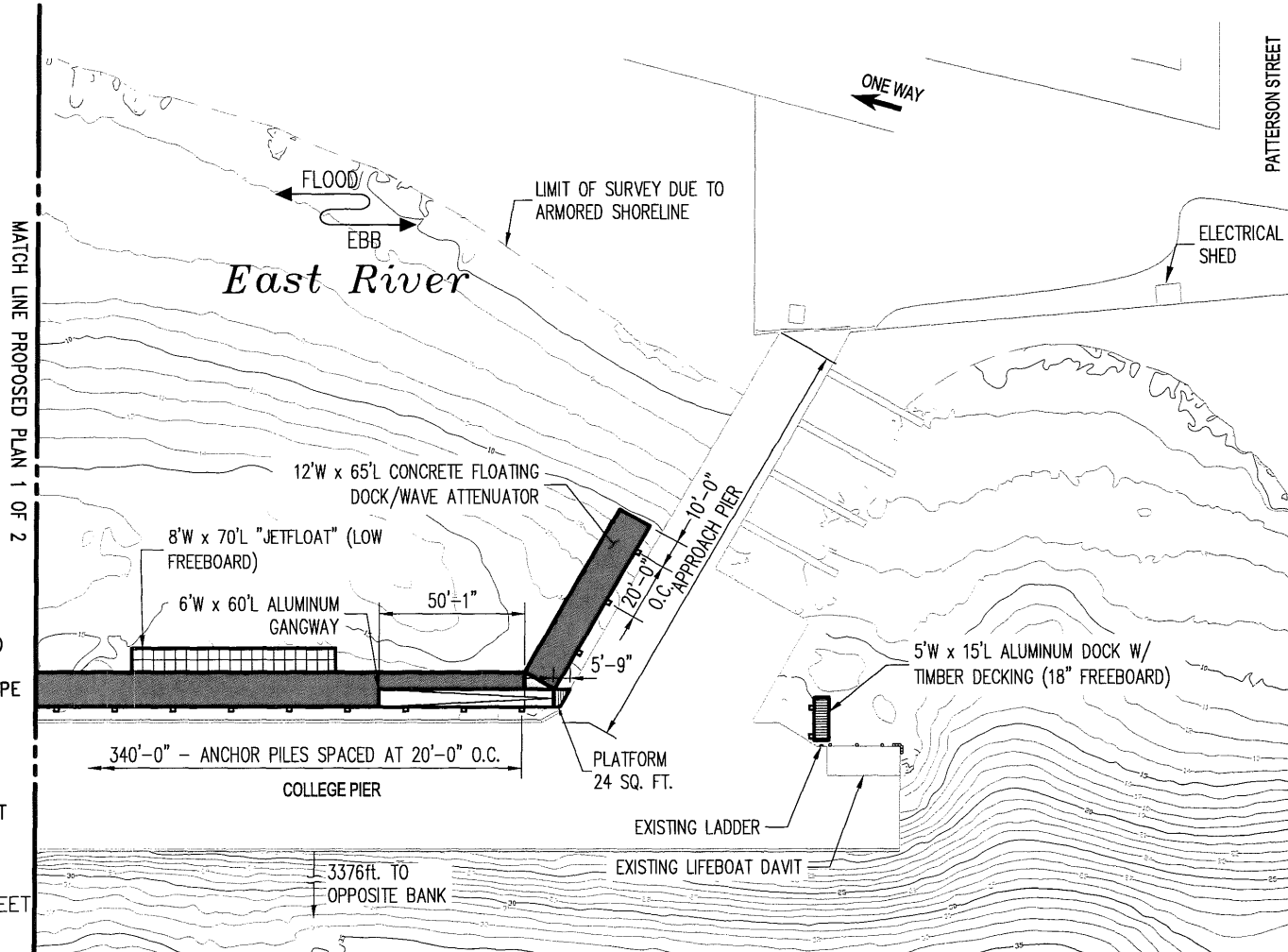
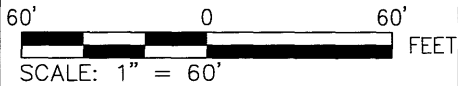
FILE NAME: P:\Proj\40\40878\10_Dwg\CAD\Dock Permit\13_Proposed Pier.dwg PLOT TIME: Thu, 18 Aug 2016 - 16:07:07m LAST SAVE: Thu, 18 Aug 2016 - 8:51:00m BY: Jaso



ITEM	NO. OF PILES	AREA PILE SF	TOTAL AREA SF	DIAMETER	INSTALLATION METHOD
STEEL PIPE PILES	53	1.40	74.2	16"	VIBRATORY HAMMER

LEGEND

-  CONCRETE FLOATING WAVE ATTENUATOR
-  JETFLOAT - LOW FREEBOARD
-  16"Ø x 0.5" THICK STEEL PIPE ANCHOR PILE (TOTAL 53)
-  UTILITY PEDESTAL (EXACT LOCATIONS TBD) (TOTAL 6)
-  12" GALVANIZED STEEL CLEAT (TOTAL 41)



PURPOSE: FLOATING DOCK REPLACEMENT
 DATUM: NAVD 88
 ADJACENT OWNERS:
 1. SEE ATTACHED PAGE

AGENT: M.G. McLAREN, P.C.
 100 SNAKE HILL ROAD, WEST NYACK, N.Y.10994

PROPOSED PLAN 2 OF 2

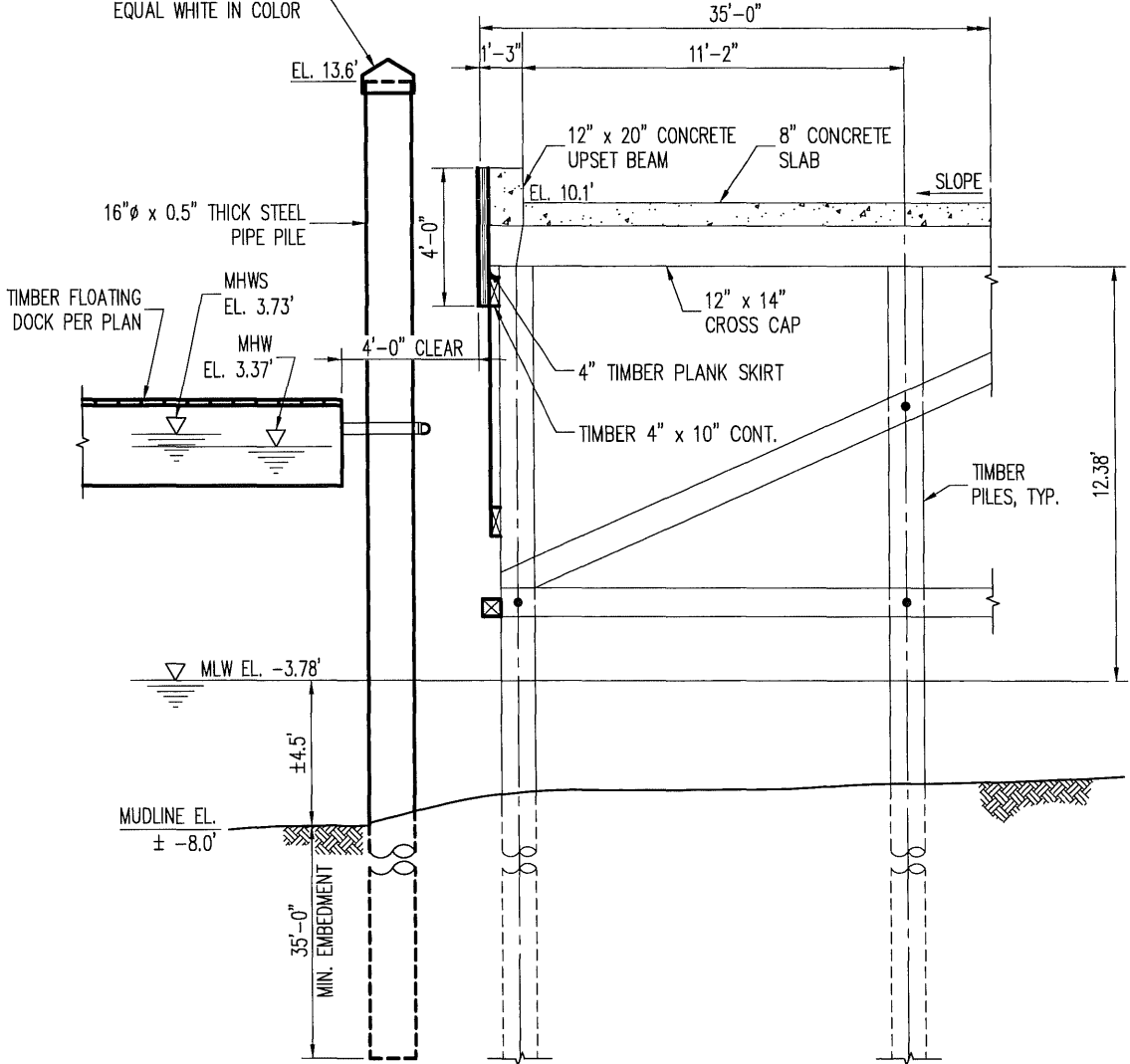
SUNY MARITIME WATERFRONT ENHANCEMENTS-FLOATING DOCK REPLACEMENT

AT: SUNY MARITIME COLLEGE IN: EAST RIVER COUNTY OF: BRONX STATE: NY APPLICANT: SUNY MARITIME COLLEGE	APPLICANT: SUNY MARITIME COLLEGE 6 PENNYFIELD AVENUE THROGGS NECK, NY 10465
---	--

08-18-16

SHT 7 OF 9

ROUND HEAVY DUTY PILE CAP BY MARINE ACCESSORIES OR APPROVED EQUAL WHITE IN COLOR



8 PROPOSED FLOATING DOCK SECTION - SAB
3/16" = 1'-0"

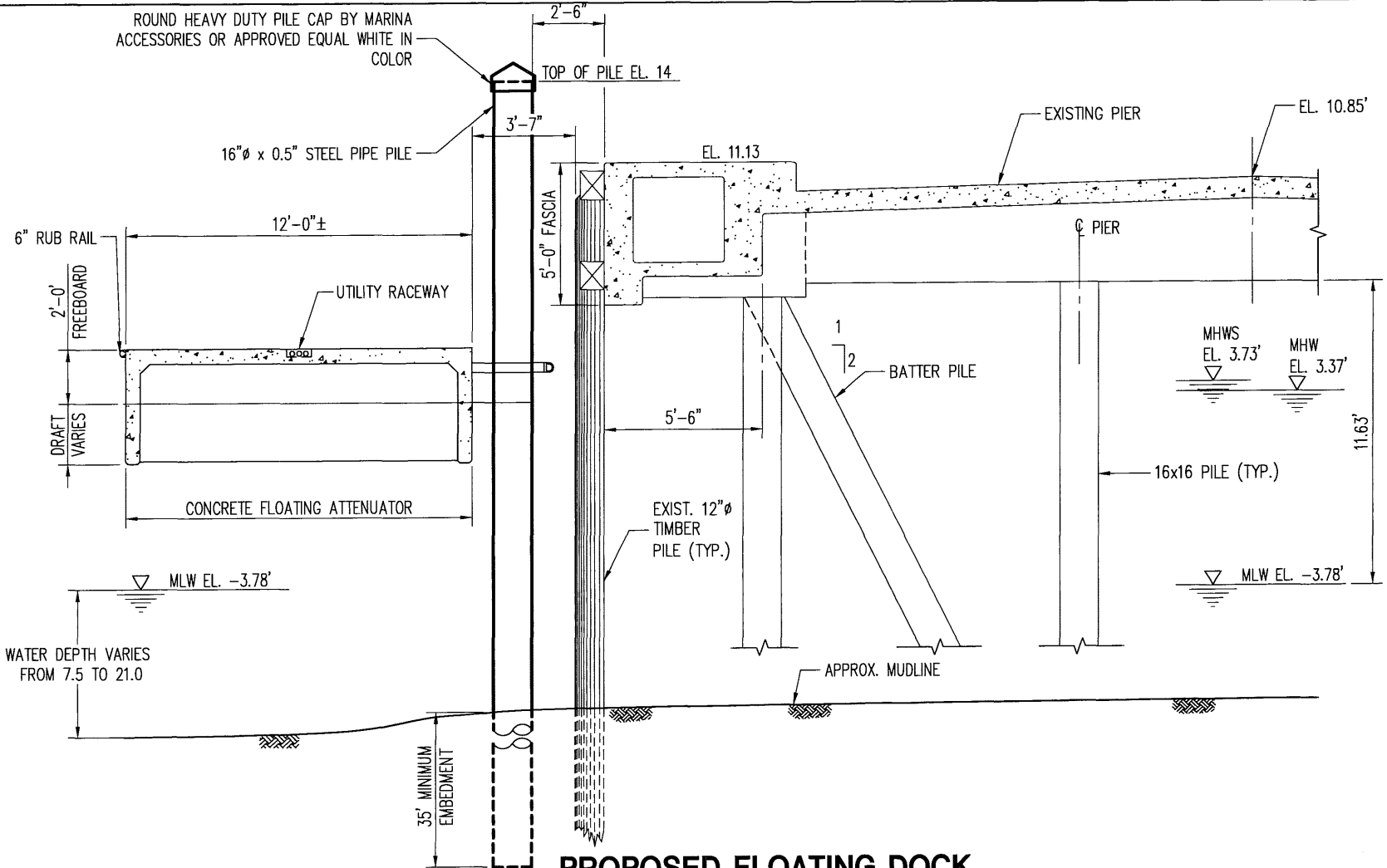
PURPOSE: FLOATING DOCK REPLACEMENT
 DATUM: NAVD 88
 ADJACENT OWNERS: 1. SEE ATTACHED PAGE
 AGENT: M.G. McLAREN, P.C.
 100 SNAKE HILL ROAD
 WEST NYACK, N.Y. 10994

PROPOSED SECTION 1

 SCALE: 3/16" = 1'-0"
 SUNY MARITIME COLLEGE
 6 PENNYFIELD AVENUE
 THROGGS NECK, NY 10465

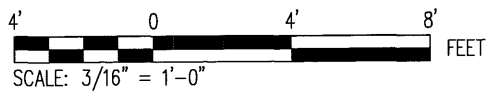
SUNY MARITIME WATERFRONT ENHANCEMENTS - FLOATING DOCK REPLACEMENT
 AT: SUNY MARITIME COLLEGE
 IN: EAST RIVER
 COUNTY OF: BRONX STATE: NY
 APPLICANT: SUNY MARITIME COLLEGE
 SHT 8 OF 9 08-18-16

FILE NAME: P:\Proj\40\40678\10.Dwg\000\Docke Permit\8 Proposed Stationing.dwg PLOT TITLE: Thu, 18 Aug 2016 - 10:07am LAST SAVE: Wed, 17 Aug 2016 - 4:30pm BY: Jison



PROPOSED FLOATING DOCK SECTION - COLLEGE PIER

9



PURPOSE: FLOATING DOCK REPLACEMENT
 DATUM: NAVD 88
 ADJACENT OWNERS:
 1. SEE ATTACHED PAGE

AGENT: M.G. McLAREN, P.C.
 100 SNAKE HILL ROAD, WEST NYACK, N.Y.10994

PROPOSED SECTION 2
 SUNY MARITIME WATERFRONT ENHANCEMENTS-FLOATING DOCK REPLACEMENT

AT: SUNY MARITIME COLLEGE
 IN: EAST RIVER
 COUNTY OF: BRONX STATE: NY
 APPLICANT: SUNY MARITIME COLLEGE

APPLICANT:
 SUNY MARITIME COLLEGE
 6 PENNYFIELD AVENUE
 THROGGS NECK, NY 10465

08-18-16

SHT 9 OF 9